

## Cree LED J Series® JB5630-C 3-V Standard LED Product Change Notification

Customer Name: JB5630-C 3-V Standard Customers

PCN Reference Number: CVL-PCN-2203  
Date Issued: June 28, 2022

Please be advised that Cree LED has qualified a minor change to the JB5630-C series products and that we will begin shipping the affected products with the change 30 days after the PCN Issue Date.

Please review the additional PCN information below.

### Affected Product

Table 1 provides a list of products affected by this EOL Notification:

*Table 1 Affected Products List*

Product	Cree LED Part Number
JB5630-C 3-V Standard	JB5630AWT-Cx-xxxx-xxxAxxxxxxx
	JB5630AWT-C0-0000-000A0BD327E
	JB5630AWT-C0-0000-000A0BD330E
	JB5630AWT-C0-0000-000A0BD435E
	JB5630AWT-C0-0000-000A0BD540E
	JB5630AWT-C0-0000-000A0BD545E
	JB5630AWT-C0-0000-000A0BD550E
	JB5630AWT-C0-0000-000A0BD557E
	JB5630AWT-C0-0000-000A0BD565E
	JB5630AWT-C0-0000-000A0HD227E
	JB5630AWT-C0-0000-000A0HD330E
	JB5630AWT-C0-0000-000A0HD335E
	JB5630AWT-C0-0000-000A0HD440E
	JB5630AWT-C0-0000-000A0HD445E
	JB5630AWT-C0-0000-000A0HD450E
	JB5630AWT-C0-0000-000A0HD457E
	JB5630AWT-C0-0000-000A0HD465E
	JB5630AWT-C0-0000-000A0UC327E
	JB5630AWT-C0-0000-000A0UC430E
	JB5630AWT-C0-0000-000A0UC435E
JB5630AWT-C0-0000-000A0UC540E	

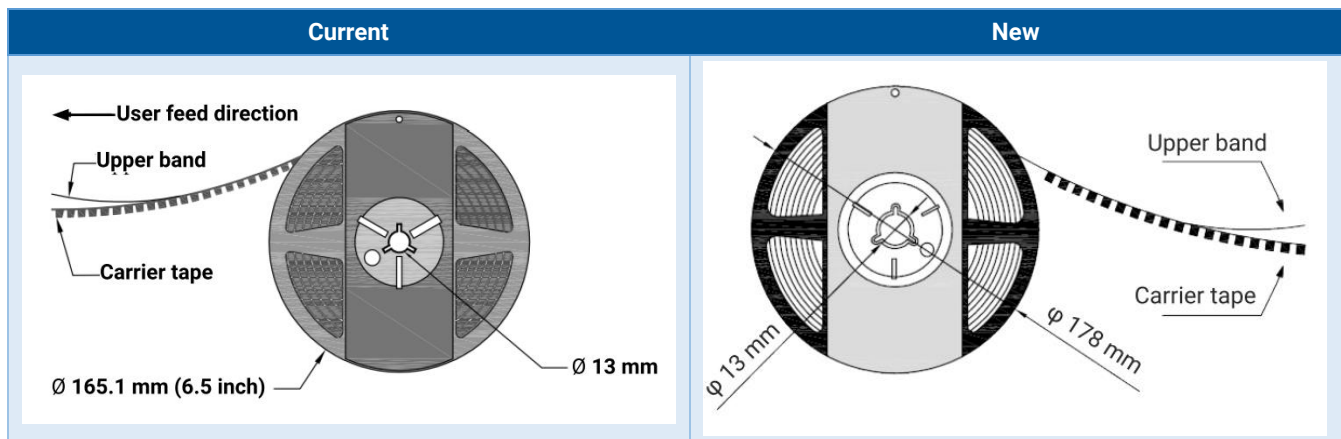
Product	Cree LED Part Number
	JB5630AWT-C0-0000-000A0UC545E
	JB5630AWT-C0-0000-000A0UC550E
	JB5630AWT-C0-0000-000A0UC557E
	JB5630AWT-C0-0000-000A0UC565E

## Description of Change

Cree LED is changing the user feed direction of the carrier tape in the reel and reel diameter JB5630-C 3-V Standard. Please refer to the latest data sheet on [www.cree-led.com](http://www.cree-led.com).

The orientation of the polarity of the component in the carrier tape remains **unchanged**.

The current and new user feed directions and reel diameters are shown below.



## Reason for Change

The change is being implemented to achieve back-end efficiency.

## Change Impact on Form, Fit, Function, or Reliability

This has no impact on the function or reliability of the JB5630-C 3-V Standard LEDs. No customer action is required. This product change does not affect the order codes.

## Key Dates

Table 2 provides estimated dates for key PCN Milestones based on information available at the date the PCN was issued. Any updates to these dates can be provided by the Cree LED contact listed in Table 3.

Table 2 Key PCN Estimated Dates

<b>Proposed First Ship Date:</b>	July 30, 2022
<b>Last Date of Unchanged Product:</b>	July 29, 2022

## Cree LED Contact Information

If you have any questions regarding this PCN please contact:

Table 3 PCN Contact

<b>Contact:</b>	Cree LED Customer Service
<b>Contact E-Mail:</b>	xlampsales@cree-led.com
<b>Contact Phone:</b>	US toll free: 1-844-273-3533 Outside the US: +1 919-313-5301
<b>Address:</b>	CreeLED, Inc. 4400 Silicon Dr. Durham, NC 27703-8475 USA